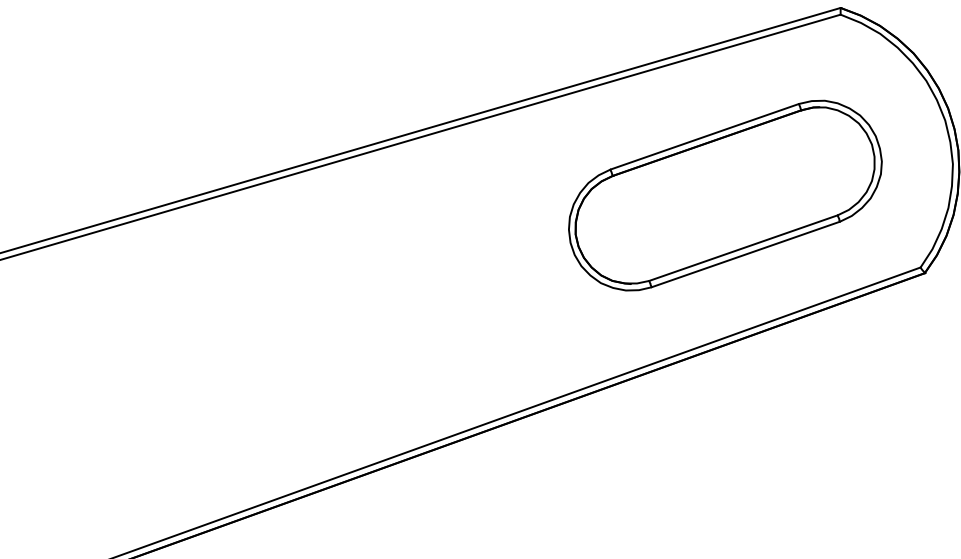


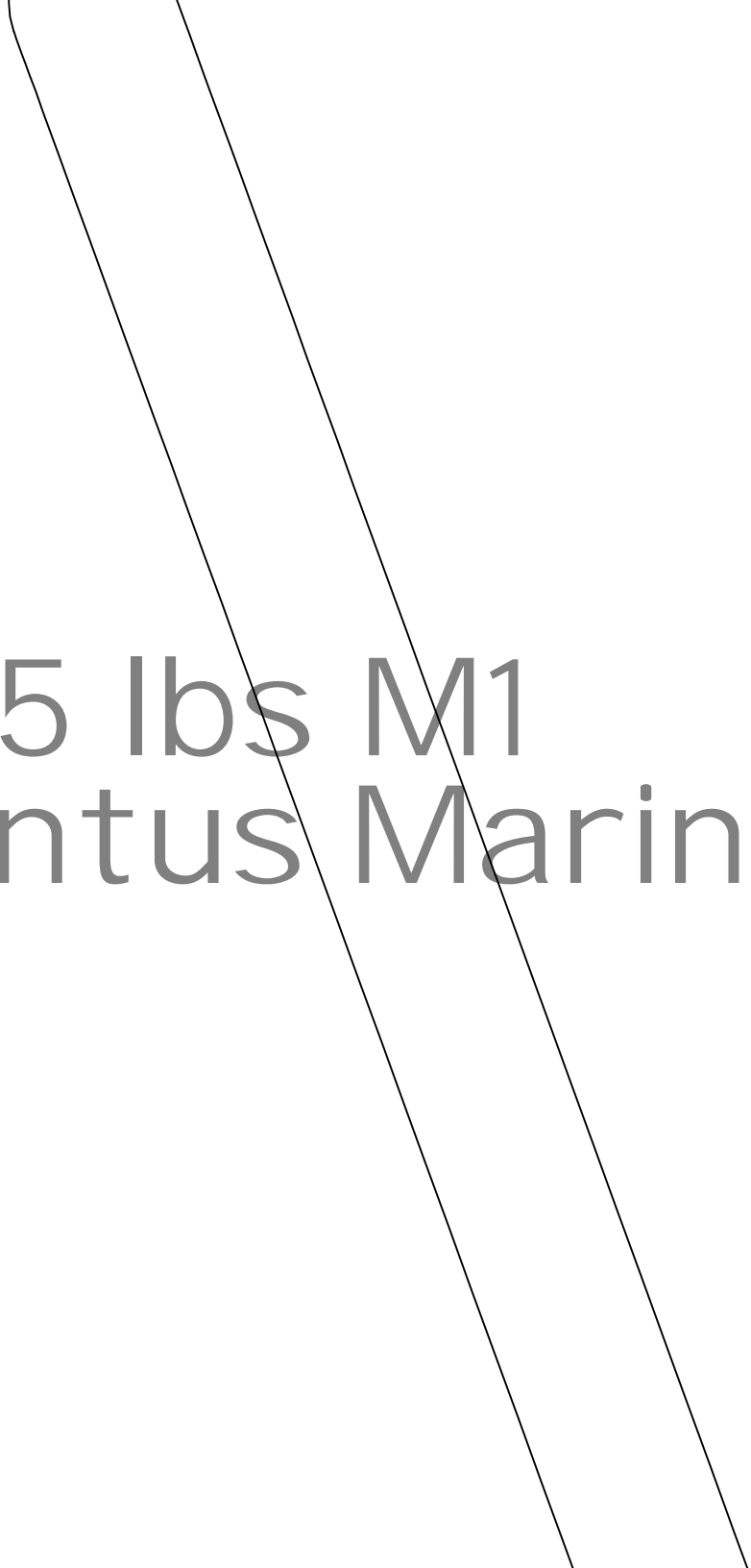
35 lbs M1  
Mantus Marine

35 lbs M1  
Mantus Marine


A decorative graphic consisting of two parallel lines that start from the bottom left and extend diagonally towards the bottom right corner of the page.

35 lbs M1  
Mantus Marine





35 lbs M1  
Mantus Marine



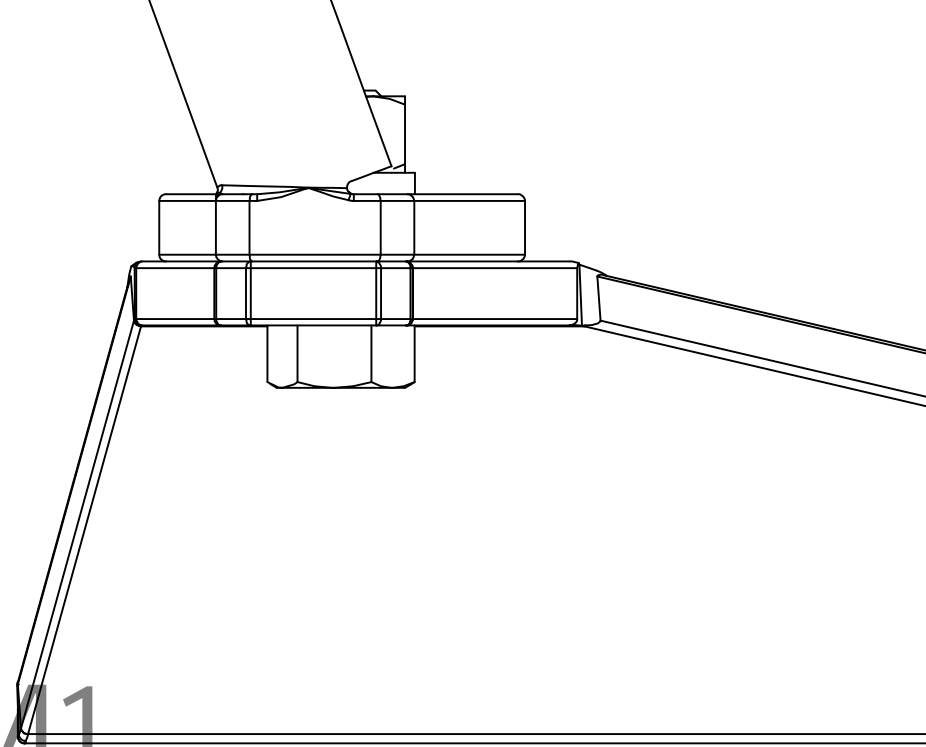
35 lbs M1  
Mantus Marine

The image shows a technical drawing of a component, likely a marine part, with a circular hole. The drawing is composed of two parallel lines representing the object's profile. The top edge starts with a vertical line on the left, curves into a diagonal line sloping upwards to the right, and then continues as a slightly steeper diagonal line. The bottom edge follows a similar pattern, starting with a vertical line, curving into a diagonal line, and then continuing as a slightly steeper diagonal line. A circular hole is located on the left side of the component, between the two parallel lines. The text '35 lbs M1' and 'Mantus Marine' is centered in the upper portion of the drawing.



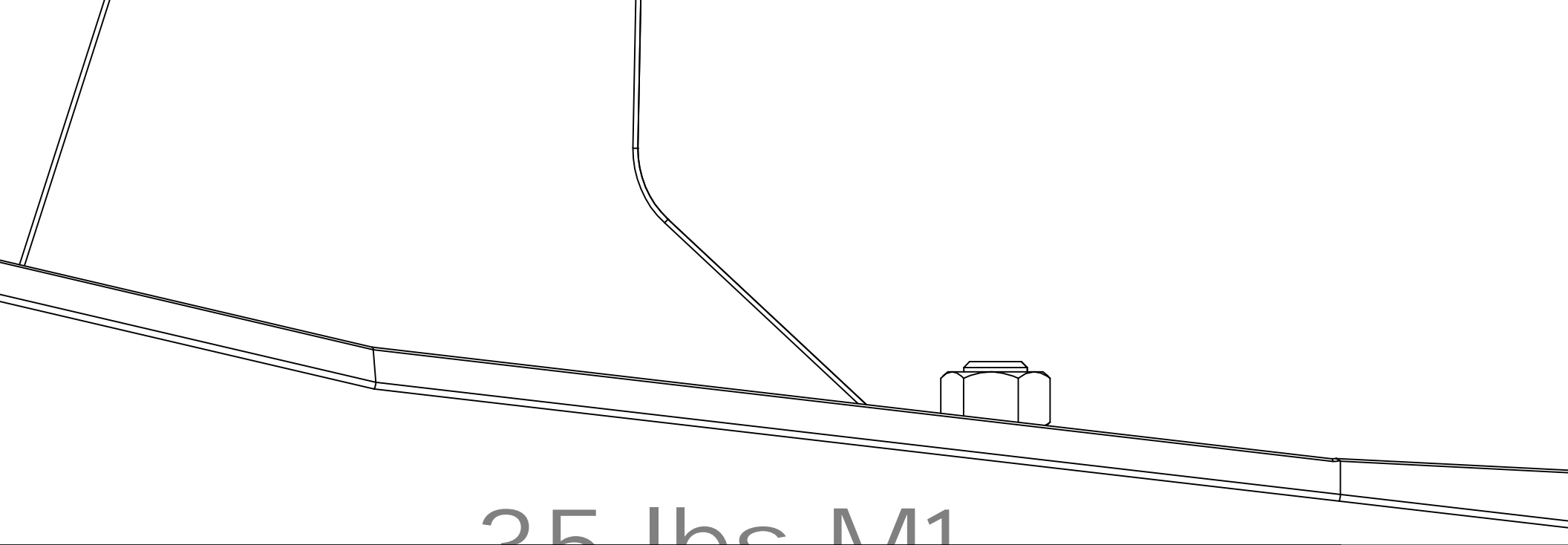
35 lbs M1  
Mantus Marine

35 lbs M1  
Mantus Marine

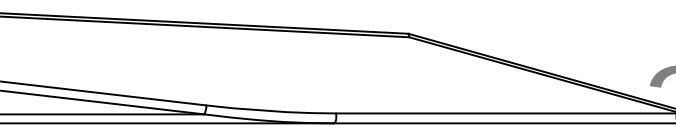


35 lbs M11  
Mantus Marine





35 lbs M1  
Mantus Marine



35 lbs M1  
Mantus Marine