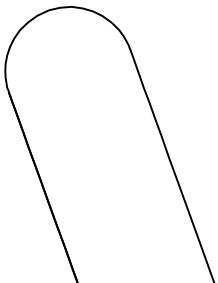
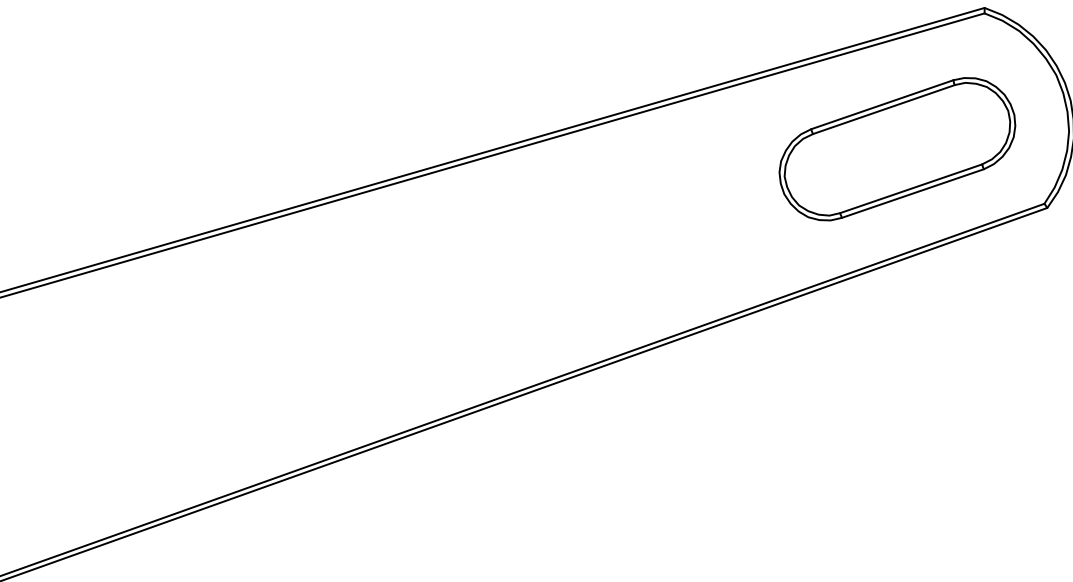


13 lbs M1  
Mantus Marine

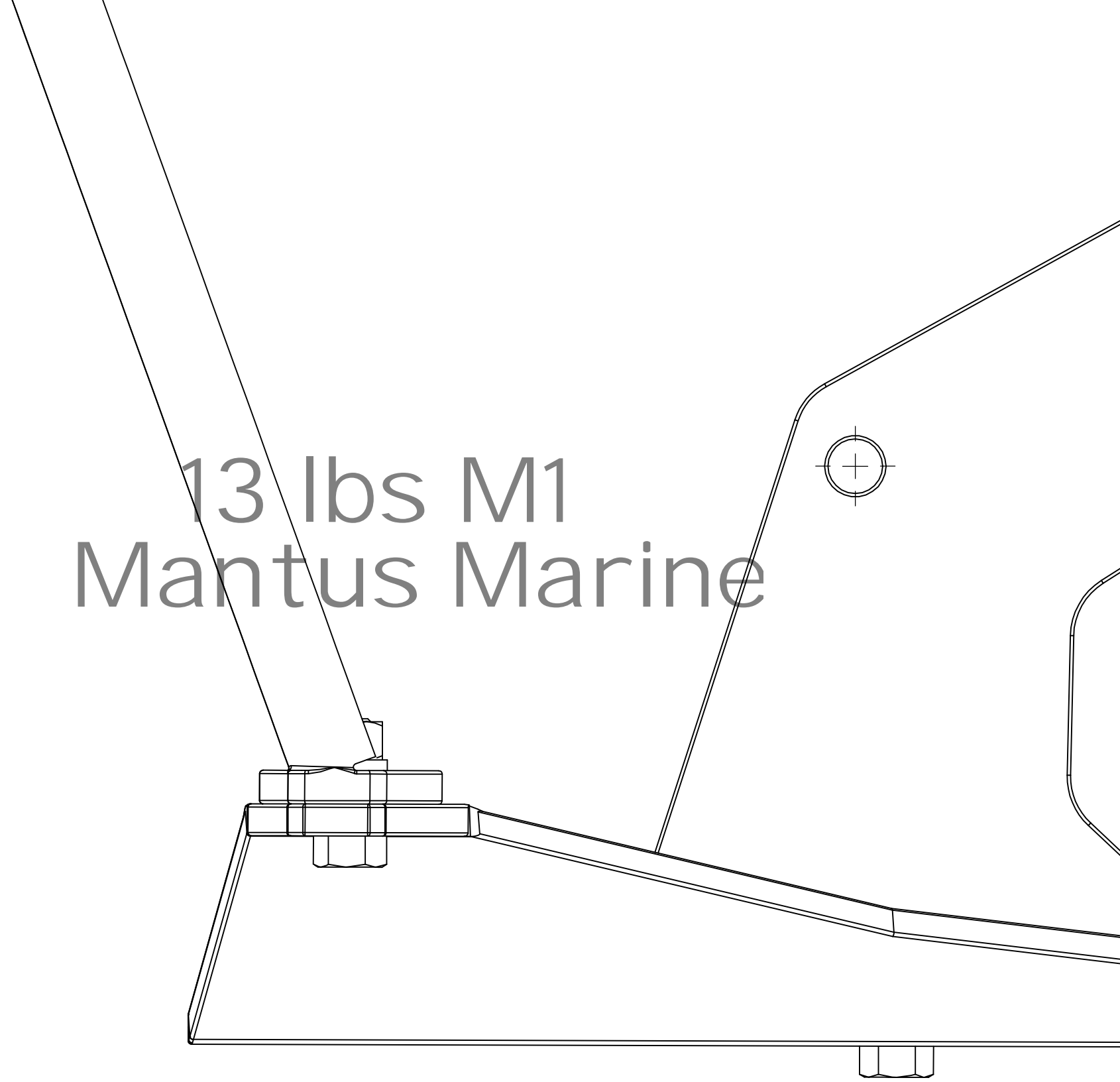


13 lbs M1  
Mantus Marine

13 lbs M1  
Mantus Marine



13 lbs M1  
Mantus Marine





13 lbs M1  
Mantus Marine

The image shows a technical line drawing of a boat hull section. The drawing is composed of several parallel lines representing the hull's profile. At the bottom, there are two detailed views of a bolt and nut assembly. The top bolt is positioned on the upper hull surface, and the bottom bolt is on the lower hull surface. The text '13 lbs M1' and 'Mantus Marine' is centered in the middle of the drawing.