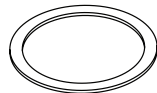
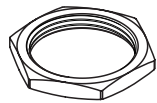


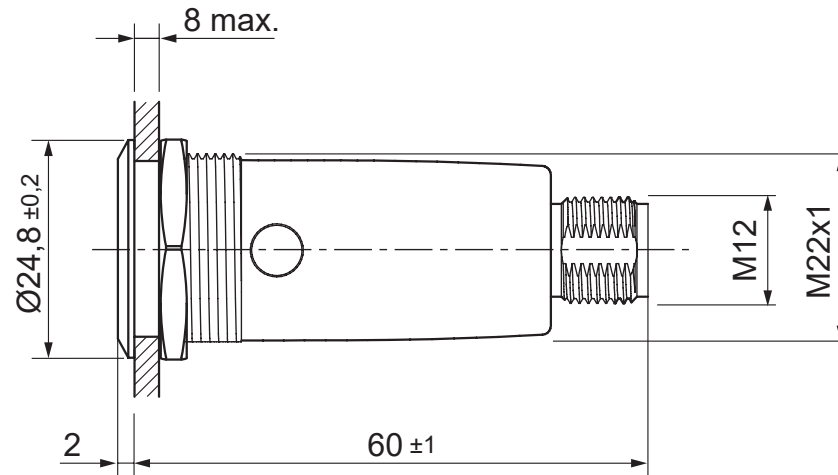
Actuator



Seal



Fixing nut



REMOVE ALL BURRS AND SHARP EDGES.(UNLESS OTHERWISE STATED). DO NOT SCALE.

THIS DOCUMENT IS DANIAMANT COPYRIGHT AND CONTAINS PROPRIETARY OWNED INTELLECTUAL PROPERTY RIGHTS AND CONFIDENTIAL DATA. ALL RIGHTS ARE STRICTLY RESERVED.THE INFORMATION MUST NOT BE USED EXCEPT FOR THE AGREED PURPOSE.UNAUTHORIZED USE, REPRODUCTION, OR ISSUE TO ANY THIRD PARTY IS NOT PERMITTED WITHOUT THE PRIOR WRITTEN AUTHORITY OF DANIAMANT. THIS DOCUMENT IS TO BE RETURNED TO DANIAMANT WHEN THE AGREED PURPOSE IS FULFILLED.

THIS DOCUMENT IS UNCONTROLLED, UNLESS OTHERWISE STATED

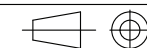
MATERIAL :

DIMENSIONS IN :- MM

TITLE
Pushbutton
with M12 connector, $\varnothing 22$ mm



3RD. ANGLE PROJECTION
B.S. 8888



TOLERANCES DS/ISO 2768 - m

DRAWING No.

SHT. 1
OF
SHT. 1

A
4

ISSUE	CHG. No.	DATE	APPD

FINISH :-

DRAWN
BO

APPROVED
Daniamant

RELEASED
Daniamant

SCALE ~