

FV-65038

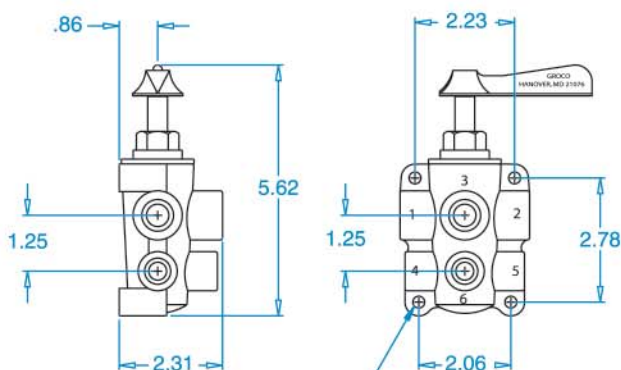
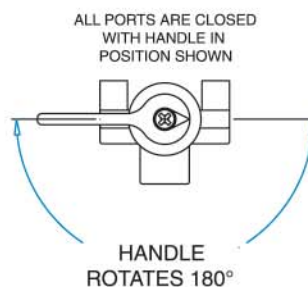
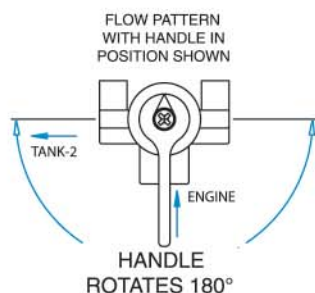
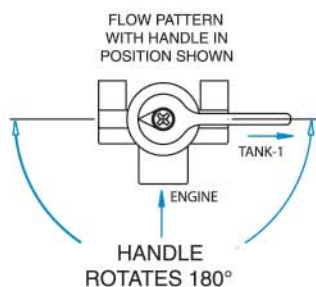
6-PORT FUEL VALVE

ABYC H33.9.2 states that fuel system valves must have an independent means of support. That's why regular in-line valves are not appropriate for fuel systems applications.

- Six-port fuel valves are used where 2 tanks supply a single engine, and a return to each supply tank is required.

- Four mount posts for secure mounting from the front.

- FV-65038 has 1/2" NPT and 3/8" NPT ports. FV-61075 has 1" NPT and 3/4" NPT ports.



MOUNT WITH
(4) 1/4" BOLTS

*DIMENSIONS ARE FOR FV-65038.

GROCO